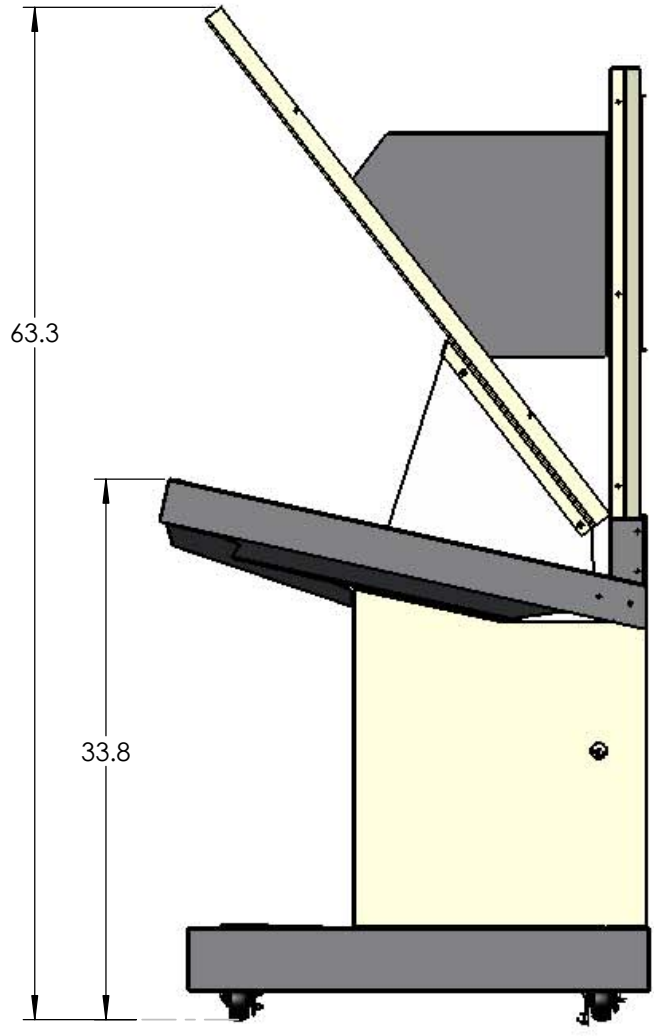
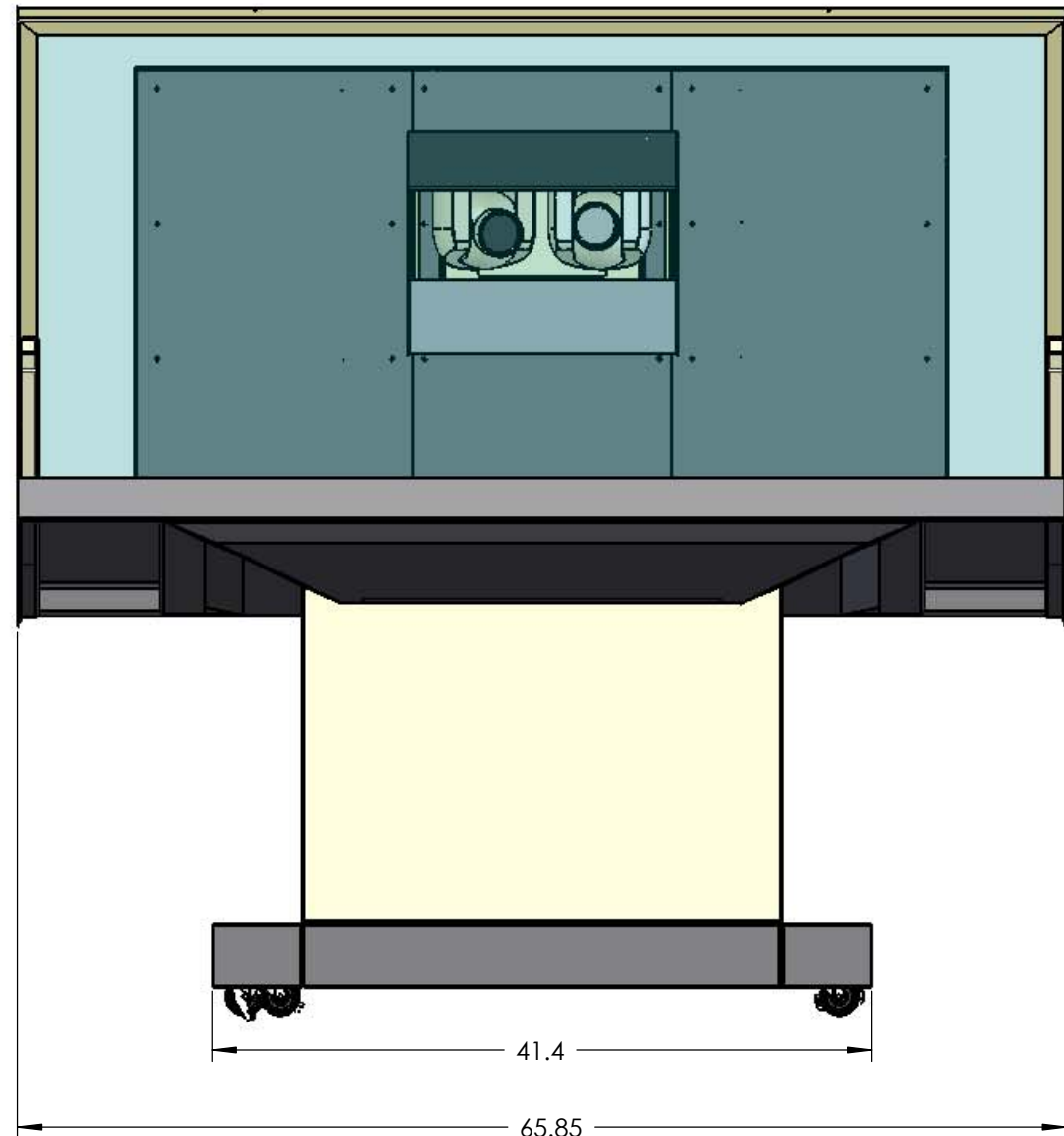
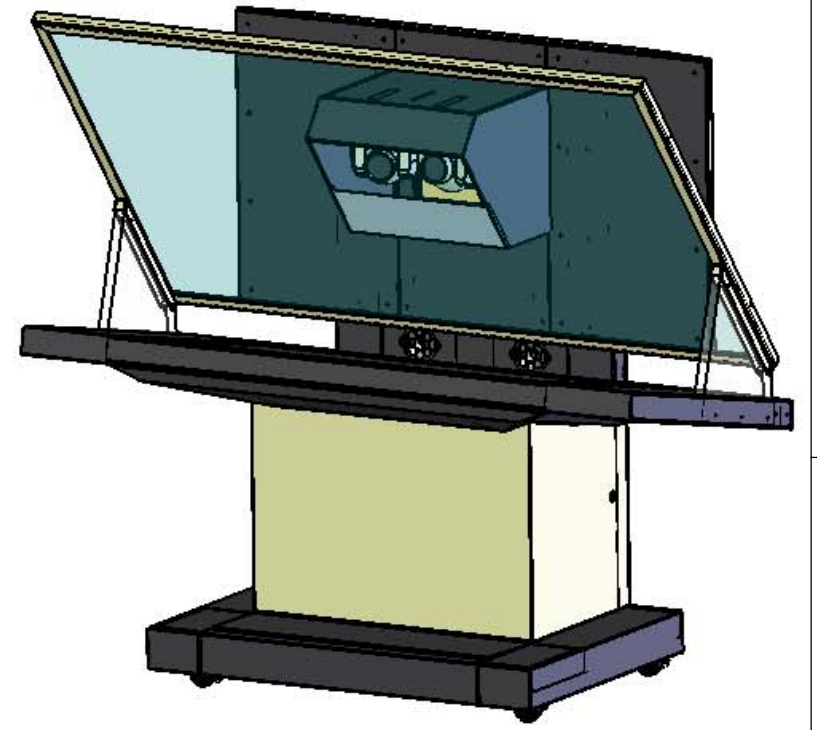
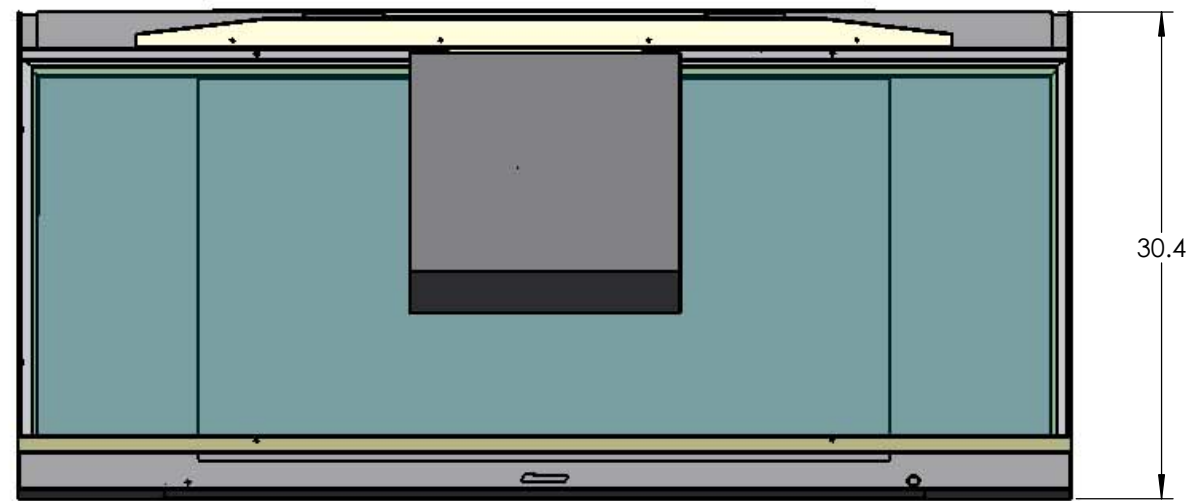


8 7 6 5 4 3 2 1

D
C
B
A



D
C
B
A

8 7 6 5 4 3 2 1

PROPRIETARY AND CONFIDENTIAL
THE INFORMATION CONTAINED IN THIS DRAWING IS THE SOLE PROPERTY OF DVE CORP. ANY REPRODUCTION IN PART OR AS A WHOLE WITHOUT THE WRITTEN PERMISSION OF DVE CORP. IS PROHIBITED.

| | | |
|-----------|------------|-----------|
| MFG APPR. | NAME | DATE |
| DRAWN | <i>MJL</i> | 1/30/2005 |
| CHECKED | | |
| ENG APPR. | | |
| Q.A. | | |

Digital Video Enterprises

TITLE:
Telepresence 50

| | | |
|------------------|------------------|----------|
| SIZE B | DWG. NO. TE50 | REV X |
|------------------|------------------|----------|

DO NOT SCALE DRAWING SCALE: 1:12 WEIGHT: SHEET 1 OF 1